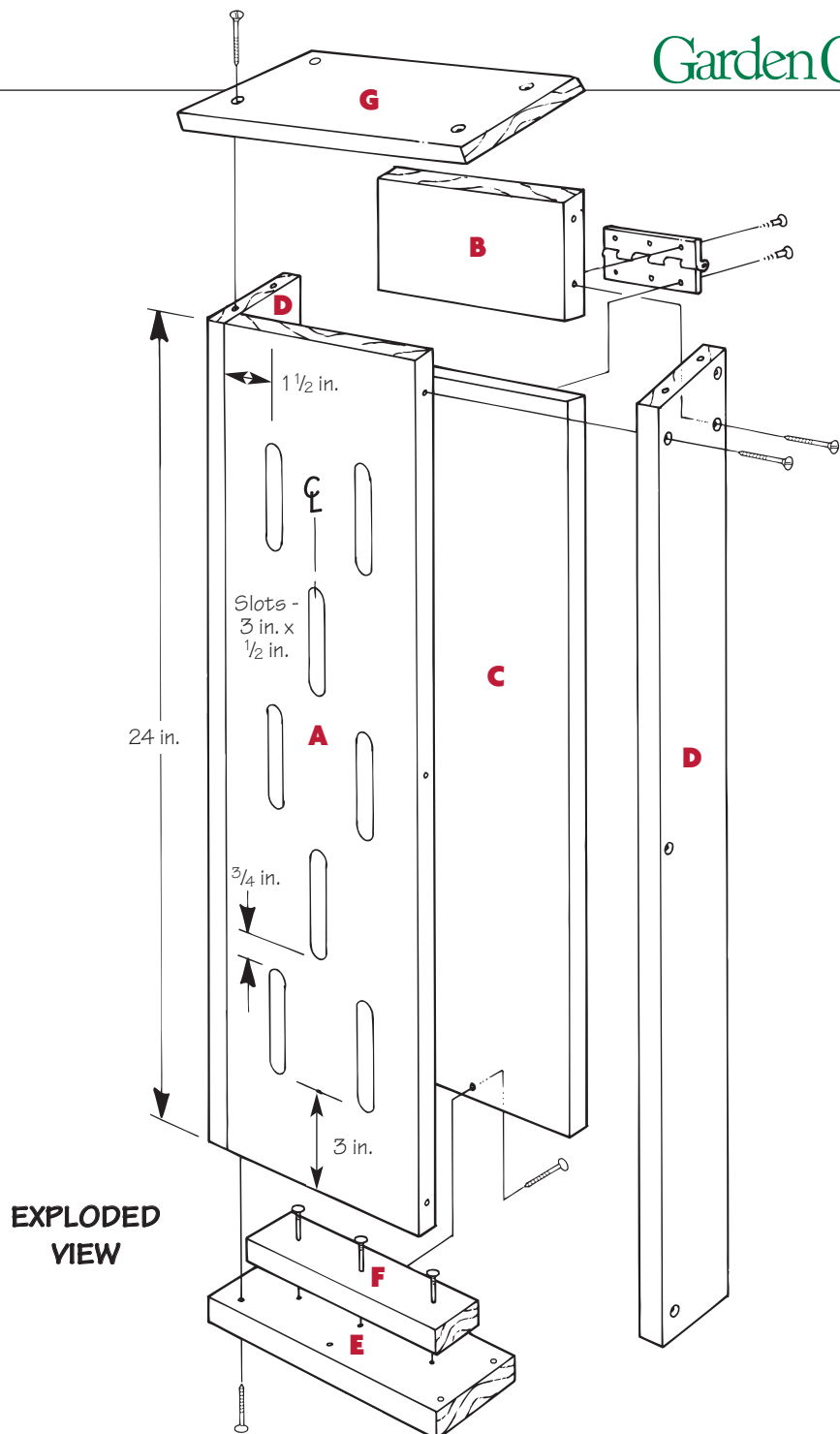


Butterfly house



MATERIALS AND TOOLS

Materials: Untreated pine

(1) 6-ft. long 1x4 for:

- (2) 3 1/2 in. x 26 in. sides (D)
- (1) 3 1/2 in. x 7 in. bottom (E)

(1) 6-ft. long 1x6 for:

- (1) 5 1/2 in. x 24 in. front (A)
- (1) 5 1/2 in. x 4 in. back (B)
- (1) 5 1/2 in. x 8 1/2 in. top (G)
- (1) 5 1/2 in. x 2 in. bottom (F)
- (1) 5 1/2 in. x 21 7/8 in. door (C)

- (23) #8 x 1 1/2 in. wood screws
- (3) 1-in. nails
- (1) 3-in. zinc-plated hinge
- (1) 1 1/2 in. x 3 ft. copper pipe
- (1) 1 1/2 in. copper pipe cap

Tools:

Table saw, jig saw, drill and bits, hammer, tape measure, sandpaper

EXPLODED VIEW

The clean, simple lines of this attractive butterfly house make it a graceful ornament for any garden. Using a few tools and some untreated dimensional lumber, it's easy to build:

Step one - Cut out the pieces. The clever thing about this design is it can be built with two six-foot-long boards — one 1x4 and one 1x6. Lay out the two side pieces (D) and the bottom (E) on the 1x4, and all other pieces on the 1x6.

With a table saw or circular saw, cut all pieces to length. You'll then need to set

a 30° angle on your saw to cut the bevel on the top ends of the front and back pieces (A&B) (see the cross section).

Step two — Cut the slots. With the pieces cut out, create the slots on the front (A) by transferring the measurements from the exploded view above. To cut a slot, first drill a 1/2-inch-diameter hole at each end of the slot. Then, insert the blade of a jig saw into one hole and saw out the waste stock between the holes. Clean up the slot with a file or some sandpaper.

Step three — Fasten the hinge. Screw a 3-inch hinge to the back (B) and the door (C) according to drawing below.

Step four — Build the box. Set the front and the assembled back and door on edge, about 3½ inches apart. Place one of the side pieces (D) on top and line up all of the edges. Pre-drill and then screw the side to the front with three #8 x 1½-inch wood screws along its front edge, as shown in the exploded view. Using the drawing as a guide, fasten the side to the back using two screws. Flip the assembly over and repeat the process for the other side.

Step five — Attach the bottom. Put the bottom (E) in place. Using five screws, attach

it to the sides and front as shown below.

Open the door and set the smaller bottom piece (F) inside, on the floor of the house. Nail down through both bottom pieces with three 1-inch nails.

Then, with the door closed, pre-drill and drive a screw through the door and into the inside bottom piece (F). Removing this screw lets you open the door and makes housekeeping a breeze.

Step six — Place the roof. Stand the house up, set the top (G) in place, and attach it with four screws.

Step seven — Install a post. Finally, screw a 1½-inch copper pipe cap to the bottom of the house with three screws (you'll

need to drill three holes in the cap first).

Then set the whole works on top of a 1½-inch copper pipe sunk about 24 inches in the garden. You can vary the length of the pipe depending on the height of the surrounding plants. (If you crimp the end of the pipe with a pipe wrench or in a vise first, you'll find it much easier to drive into the soil.) Don't forget to pop the door open and insert some bark strips for your visitors.

You may paint or stain the outside of your house if you'd like, but make sure to let it cure completely before setting it out in the garden. Then just sit back and enjoy!

